

THEORY & OBJECTIVE

ENGINEERING MECHANICS

*By
Team of
Engineers Academy*

- Covers ESE, GATE, IAS, PSUs, DRDO, ISRO & other Technical Exams.
- Covers complete syllabus & all topics of ESE & GATE examination.
- Thoroughly revised, fully solved & error free book.
- Concise, concept oriented and topicwise presentation & authentic solutions.



ENGINEERS ACADEMY[®]

Your GATEway to Professional Excellence

IES • GATE • PSUs • JTO • IAS • NET

CORPORATE OFFICE

100-102, Ram Nagar, Bambala Puliya, Tonk Road, Pratap Nagar, Jaipur-302033

Ph.: + 91-8094441777

Website : www.engineersacademy.org | Email: info@engineersacademy.org

Ajmer | Jaipur | Kota | Jodhpur | Bhilwara | Delhi | Patna | Lucknow | LPU | Ludhiana | Jalandhar | Kanpur | Allahabad

CONTENTS

S.No.	Topic	Page No.
1.	Introduction	1 – 1
2.	System of Forces	2 – 9
3.	Friction & Application	10 – 17
4.	Center of Gravity	18 – 25
5.	Moment of Inertia	26 – 32
6.	Kinematics	33 – 43
7.	Trusses	44 – 54
8.	Collisions	55 – 62
9.	Rigid Body Dynamics in Plane Motion	63 – 70
10.	Objective Sheet	71 – 87



INTRODUCTION

THEORY

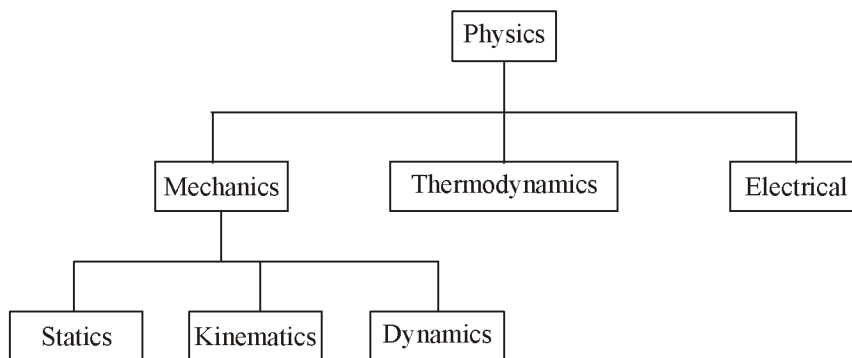
INTRODUCTION

What is Mechanics?

Mechanics is an area of science concerned with the behavior of physical bodies when subjected to forces or displacements, and the subsequent effects of the bodies on their environment.

What is Engineering Mechanics?

Engineering mechanics is the application of mechanics to solve problems involving common engineering elements. The goal of this Engineering Mechanics course is to expose students to problems in mechanics as applied to plausibly real-world scenarios.



□□□



SYSTEM OF FORCES

THEORY

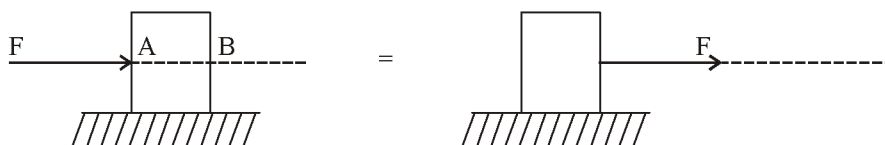
2.1 | DEFINITIONS

Force - It is something that have either displacement or deformation effect on the body

Line of action of force - It is the direction of effect on the body. It is also the direction of force

2.2 | LAW OF TRANSMISSIBILITY OF FORCE

Along the line of action if force is shifted, effect of force will remain same

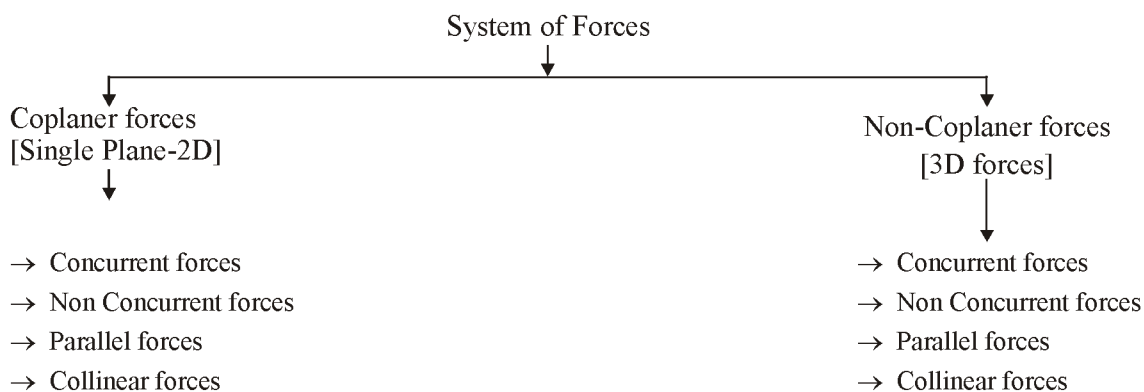


2.3 | SYSTEM OF FORCES

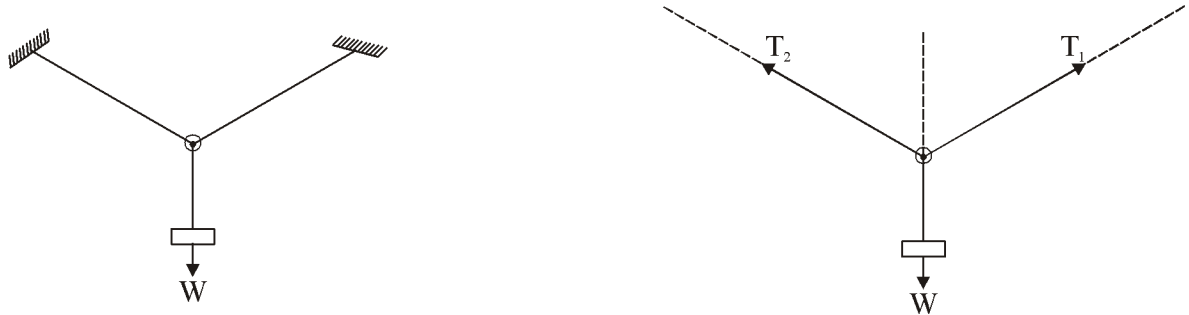
When multiple forces act on the body in different direction, at different point and of different magnitude, it is called system of forces

It can be of two types:

- (a) Coplanar Forces (2D Forces)
- (b) Non Coplanar forces (3D Forces)

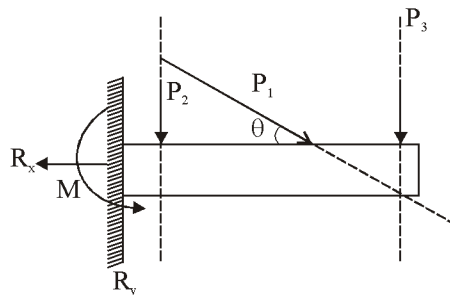


Concurrent Forces : If the line of action of all the force meet at a single point, then it is called concurrent for system.

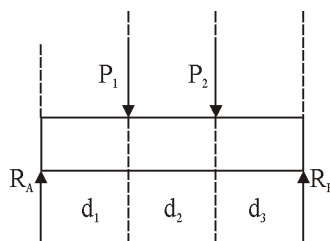


T_1, T_2 & W are Meeting at 'O'

Non concurrent forces : If the line of action of all forces do not meet at a single point, then it is called non-concurrent force system.



Parallel Forces : if the line of action of all forces do not meet anywhere, then it is called parallel force system.



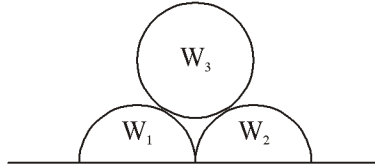
Collinear Forces : If all the forces are having same line of action, then is is called collinear force system.



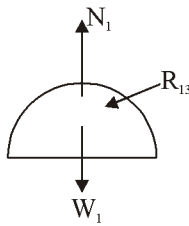
2.4 | FREE BODY DIAGRAM

It is the diagram representing all the external forces acting on a body or the system of bodies.

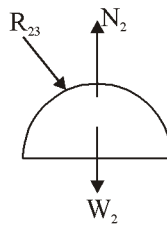
Example 1



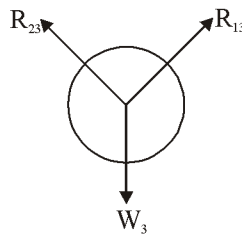
F.B.D. For W_1



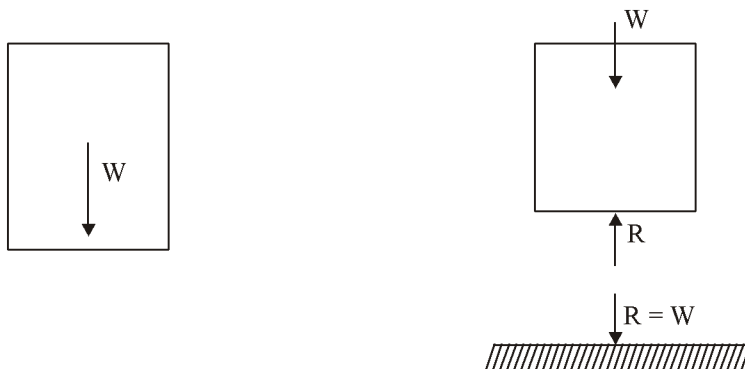
F.B.D. For W_2



F.B.D. For W_3

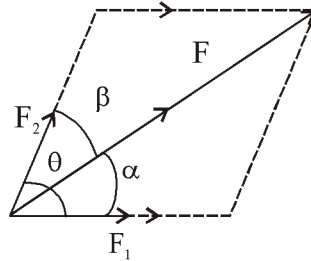


Example 2



2.5 | LAW OF FORCES

2.5.1 Law of Parallelogram



$$F = \sqrt{F_1^2 + F_2^2 + 2F_1F_2 \cos \theta}$$

$$\tan \alpha = \frac{F_2 \sin \theta}{F_1 + F_2 \cos \theta}$$

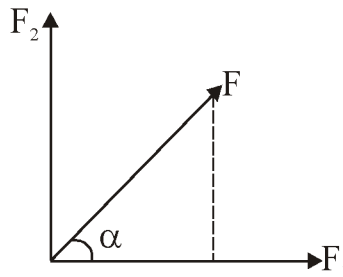
Case-I

$\theta = 0 \Rightarrow$ Collinear force



Case-II

$\theta = 90^\circ \Rightarrow$ Perpendicular force



$$F = \sqrt{F_1^2 + F_2^2}$$

$$\tan \alpha = \frac{F_2}{F_1}$$

Case-III

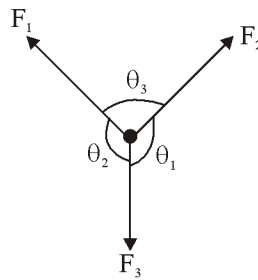
$\theta = 180^\circ \Rightarrow$ Collinear force



$$F = F_1 - F_2 \quad [F_1 > F_2]$$

$$F = F_2 - F_1 \quad [F_2 > F_1]$$

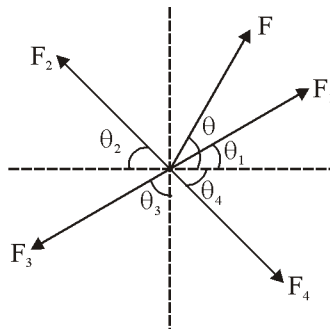
2.5.2 Lami's Theorem (Sine Rule)



For three concurrent forces to be in equilibrium

$$\Rightarrow \frac{F_1}{\sin \theta_1} = \frac{F_2}{\sin \theta_2} = \frac{F_3}{\sin \theta_3}$$

2.5.3 Component of Forces



In this method forces are resolved along two perpendicular axes.

$$F_x = F_1 \cos \theta_1 - F_2 \cos \theta_2 - F_3 \sin \theta_3 + F_4 \cos \theta_4$$

$$F_y = F_1 \sin \theta_1 + F_2 \sin \theta_2 - F_3 \sin \theta_3 - F_4 \sin \theta_4$$

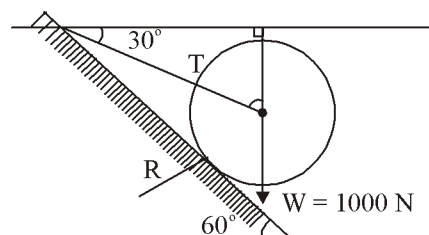
For resultant force

$$F = \sqrt{(\sum F_x)^2 + (\sum F_y)^2}$$

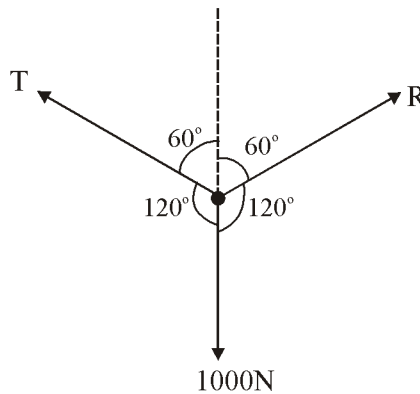
$$\tan \theta = \frac{F_y}{F_x}$$

Example 3

Determine reaction by inclined plane on the sphere



Solution:

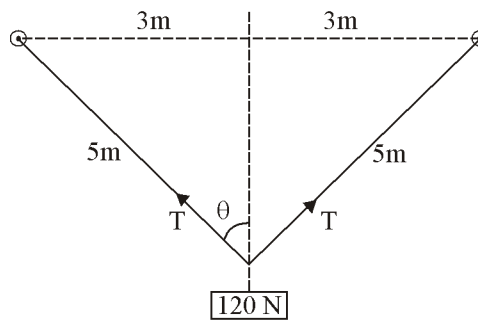


$$\frac{T}{\sin 120^\circ} = \frac{R}{\sin 120^\circ} = \frac{1000}{\sin 120^\circ}$$

$$T = R = 1000 \text{ N}$$

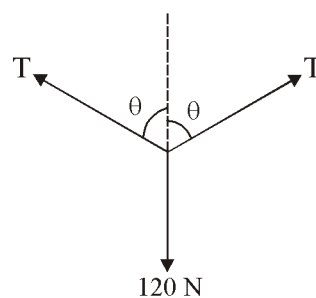
Example 4

A string of length 10m supporting a weight of 120 N as shown in fig.



Determine Tension in string

Solution:



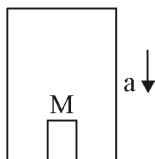
$$2T \cos\theta = 120$$

$$T = \frac{120 \times 5}{2 \times 4}$$

$$T = 75 \text{ N}$$

Example 5

With what acceleration 'a' should the box of figure descend so that the block of mass m exerts a force $Mg/4$ on the floor of the box?



Solution:

The block is at rest with respect to the box which is accelerated with respect to the ground. Hence, the acceleration of the block with respect to the ground is 'a' downward. The force on the block are

- (i) Mg downward (by the earth) and
- (ii) N upward (by the floor).

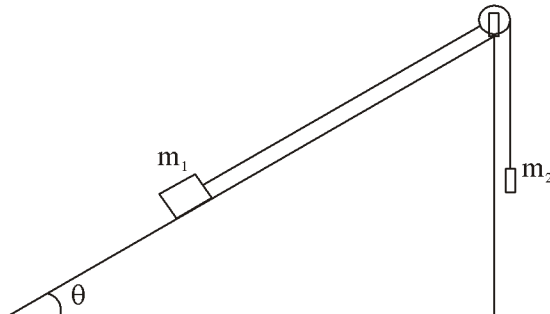
The equation of motion of the block is, therefore,

$$Mg - N = Ma.$$

If $N = Mg/4$, the above equation gives $a = 3g/4$. The block and hence the box should descend with an acceleration $3g/4$.

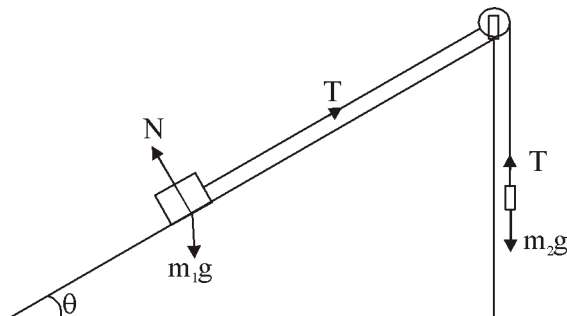
Example 6

Two bodies of masses m_1 and m_2 are connected by a light string going over a smooth light pulley at the end of an incline. The mass m_1 lies on the incline and m_2 hangs vertically. The system is at rest. Find the angle of the incline and the force exerted by the incline on the body of mass m_1 .



Solution:

Figure shows the situation with the forces on m_1 and m_2 shown. Take the body of mass m_2 as the system. The forces acting on it are



- (i) m_2g vertically downward (by the earth),
- (ii) T vertically upward (by the string).

As the system is at rest, these forces should add to zero.

This gives $T = m_2g$ (i)

Next, consider the body of mass m_1 as the system. The forces acting on this system are

- (i) m_1g vertically downward (by the earth),
- (ii) T along the string up the incline (by the string)
- (iii) N normal to the incline (by the incline).

As the string and the pulley are all light and smooth, the tension in the string is uniform everywhere. Hence, same T is used for the equations of m_1 and m_2 . As the system is in equilibrium, these forces should add to zero.

Taking components parallel to the incline,

$$T = m_1g \cos\left(\frac{\pi}{2} - \theta\right) = m_1g \sin\theta. \quad \dots(ii)$$

Taking components along the normal to the incline,

$$N = m_1g \cos\theta \quad \dots(iii)$$

Eliminating T from (i) and (ii),

$$m_2g = m_1g \sin\theta$$

or,

$$\sin\theta = m_2/m_1$$

giving

$$\theta = \sin^{-1}(m_2/m_1).$$

From (iii)

$$N = m_1g \sqrt{1 - (m_2/m_1)^2}$$

□□□